

Highlights

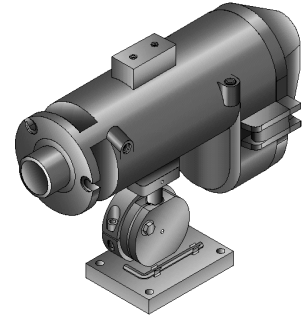
- ThermoJacket withstands ambient temperatures up to 315°C
- Thermal or mechanical environmental protection for SX, MA, MR, ET or RH or TX sensing heads
- Air/water cooling and air purge in one unit

Specifications

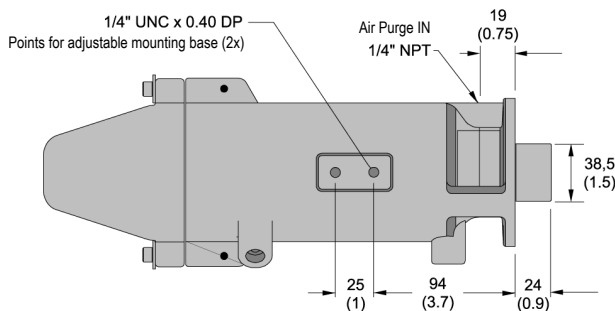
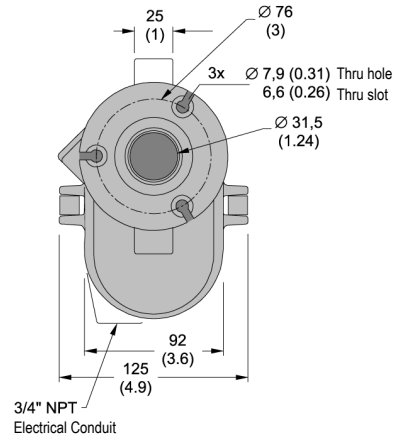
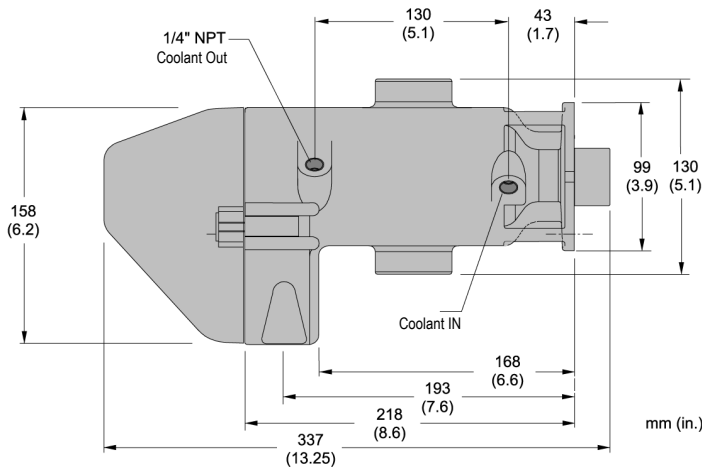
Ambient Temperature	
with water cooling	up to 315°C
with air cooling	up to 115°C
Air Purge Flow	
	36 to 48 l / min
Coolant Pressure	
Water Cooling	275 to 860 kPa
Air Cooling	550 to 827 kPa
Dimension	
	337 x 125 x 158 mm
Weight	
	3,7 kg (without adjustable mounting base)

ThermoJacket

Datasheet



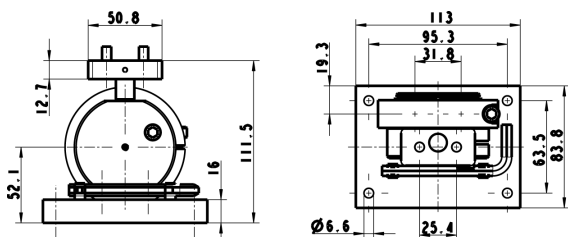
Dimensions



Ambient Temperature	Water Cooling	Air Cooling
93°C	0,3 l / min	95 l / min
121°C	0,6 l / min	110 l / min
149°C	1,0 l / min	120 l / min
232°C	1,3 l / min	
315°C	2,0 l / min	

Approximate required coolant flow (coolant temperature of 20°C at inlet)

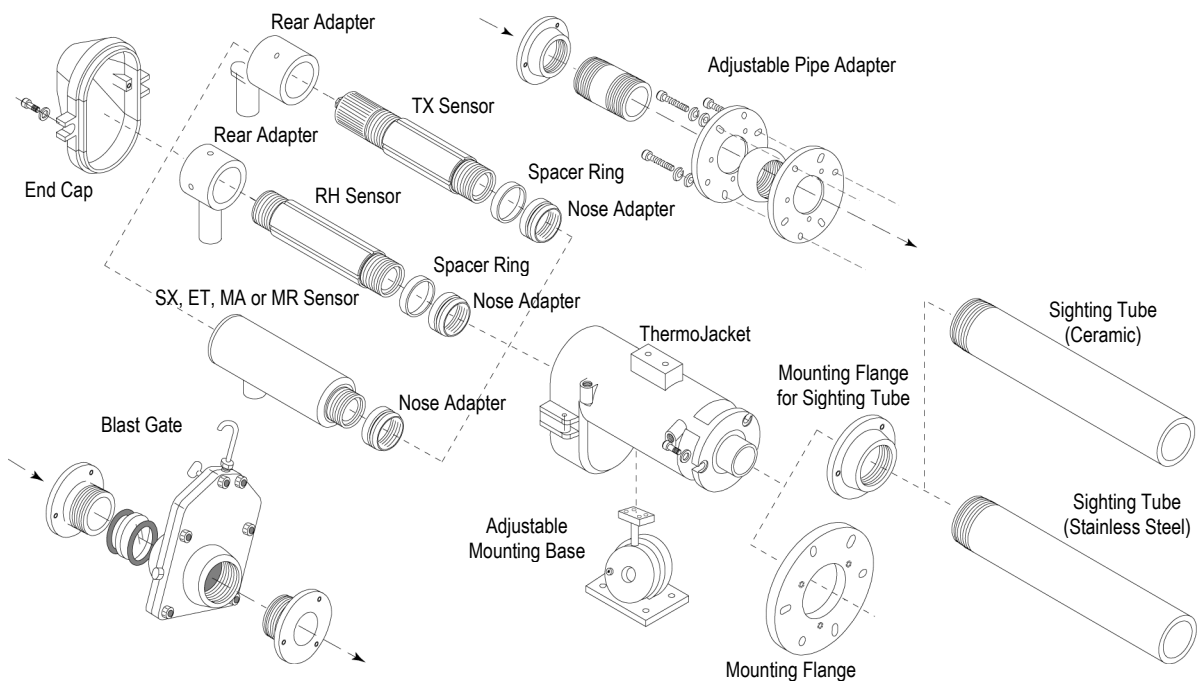
Adjustable Mounting Base (XXXTXACMB)



- RAYTXXTJ1M ThermoJacket for SX, ET, MA or MR sensing heads
- BD3TXXTJ1M ThermoJacket Peep Site for MA/MR sensing heads
- RAYTXXTJ2M ThermoJacket for RH sensing heads (Regular heads)
- RAYTXXTJ3M ThermoJacket for TX sensing heads

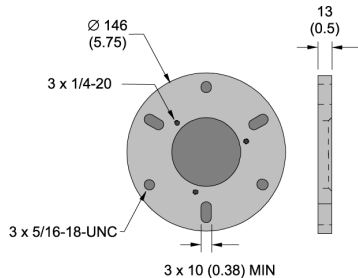
- XXXTXACWR Water flow regulator
- XXXTXACAR Air flow/pressure regulator assembly

Accessories Overview

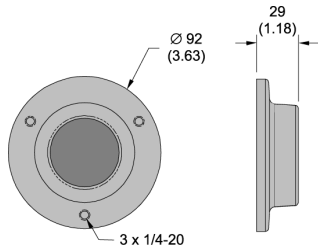


Accessories

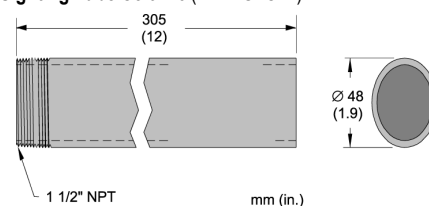
Mounting Flange (XXTXXACMF)



Mounting Flange for Sighting Tube (XXTXXACMST)



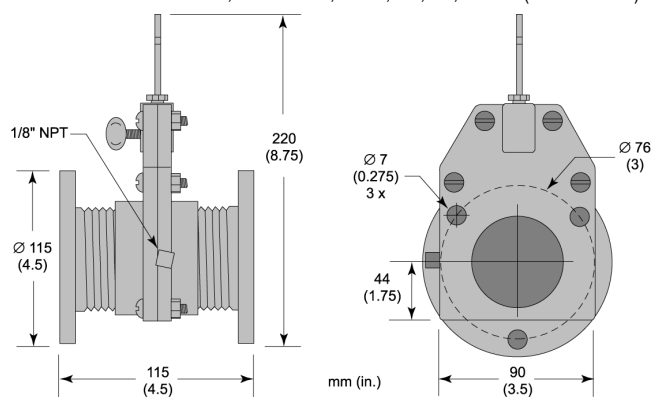
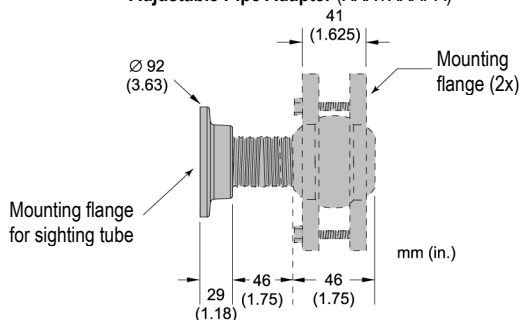
Sighting Tube Stainless Steel (XXTXXACST12)
Sighting Tube Ceramic (XXTSTC12)



Blast Gate with Quartz Window, max. 870°C, for 1M and HT (XXTXXGTQ)

Blast Gate with Ammir Window, max. 300°C, for LT, MT, G5, and P7 (XXTXXGTA)

Adjustable Pipe Adapter (XXTXXAPA)



www.raytek.com
for up-to-the-minute features

55525, Rev. C, 09/2002 – Raytek, the Raytek Logo, ThermoAlert and DataTemp are registered trademarks of Raytek Corporation. Specifications subject to change without notice.

Worldwide Headquarters

Raytek Corporation
Santa Cruz, CA USA
Tel: +1 831 458 – 1110
+1 800 227 – 8074
Fax: +1 831 458 – 1239
automation@raytek.com

European Headquarters

Raytek GmbH
Berlin, Germany
Tel: +49 30 47 80 08 - 0
Sales: - 400
Fax: +49 30 4 71 02 51
raytek@raytek.de

Raytek United Kingdom

Milton Keynes, UK
Tel: +44 1908 630 800
Fax: +44 1908 630 900
ukinfo@raytek.com

Raytek France

Palaiseau, France
Tel: +33 164 53 15 40
Fax: +33 164 53 15 44
info@raytek.fr

